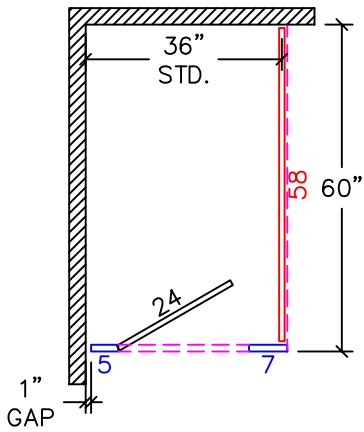
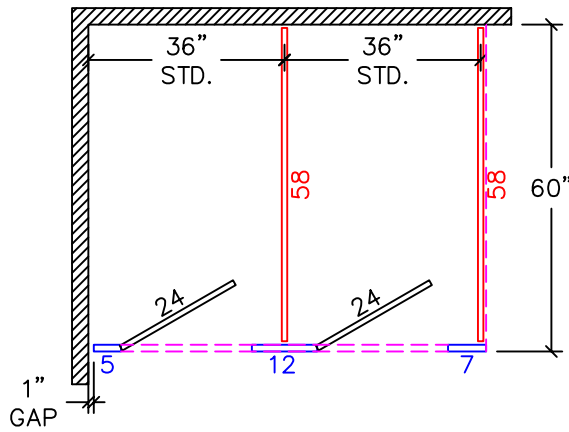


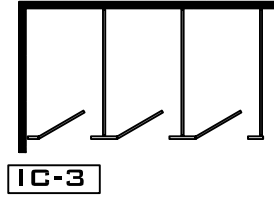
TYPICAL IN CORNER LAYOUTS



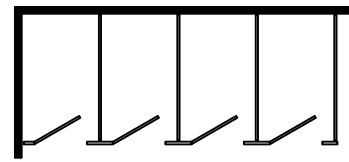
IC - 1
STANDARD
CONFIGURATION



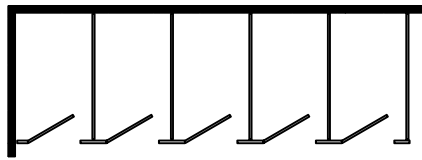
IC - 2
STANDARD
CONFIGURATION



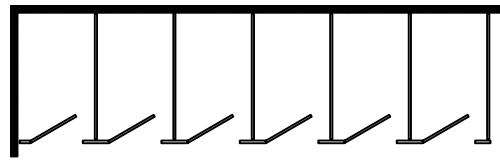
IC-3



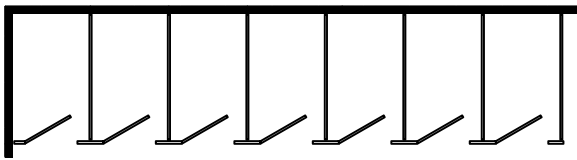
IC-4



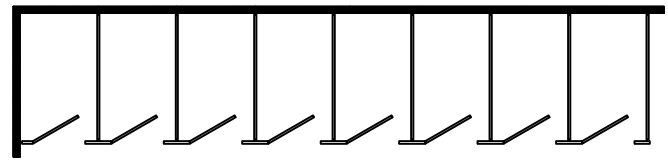
IC-5



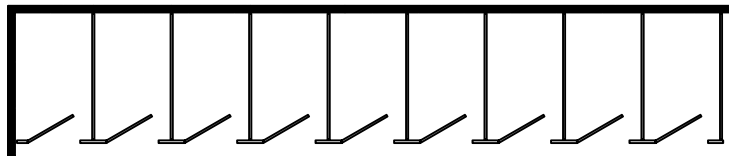
IC-6



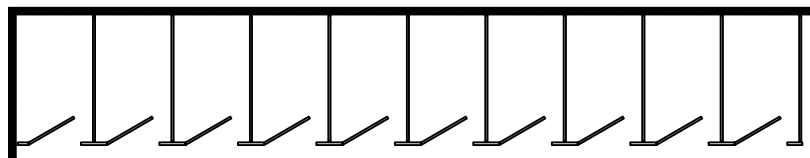
IC-7



IC-8

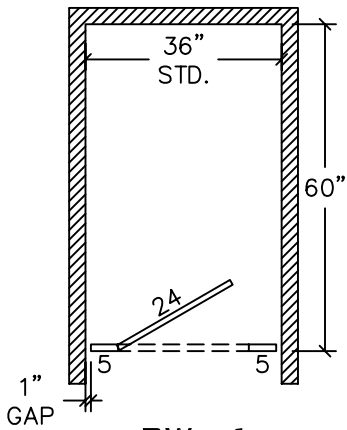


IC-9

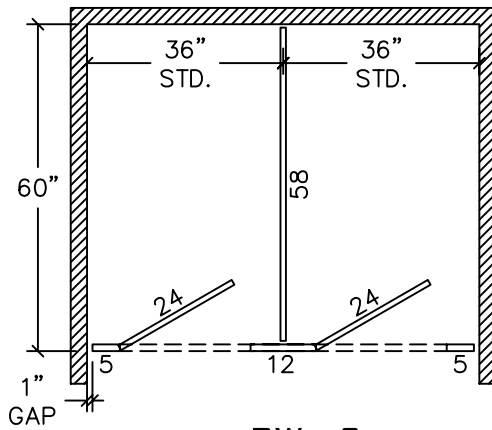


IC-10

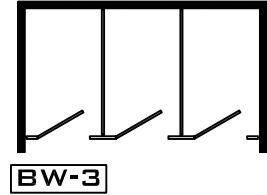
TYPICAL BETWEEN WALL LAYOUTS



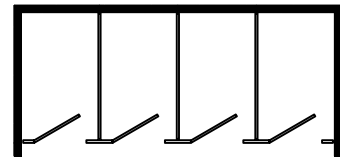
**BW - 1
STANDARD
CONFIGURATION**



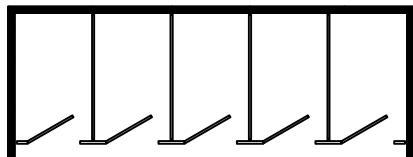
**BW - 2
STANDARD
CONFIGURATION**



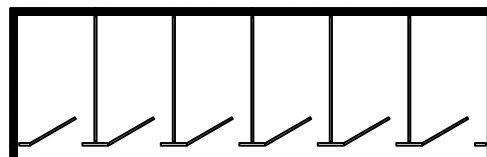
BW-3



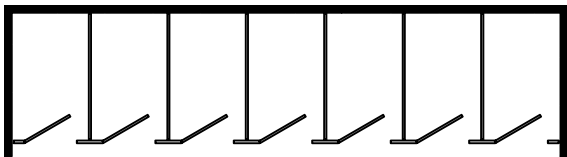
BW-4



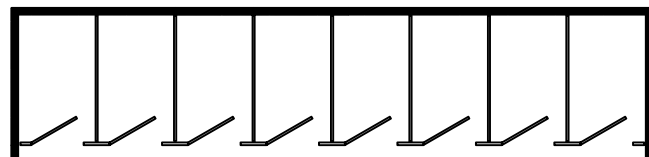
BW-5



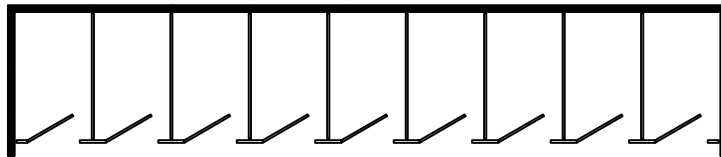
BW-6



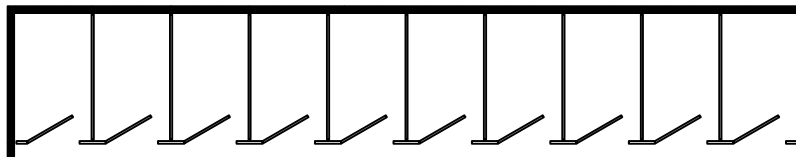
BW-7



BW-8

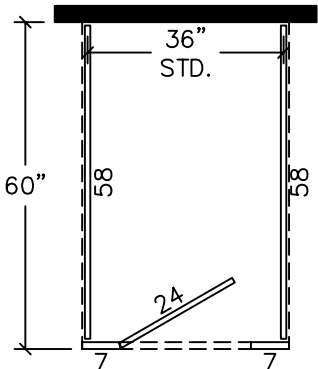


BW-9

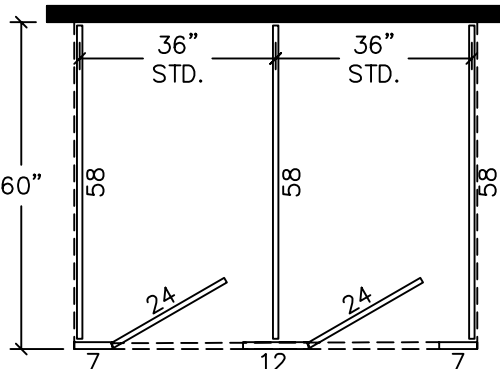


BW-10

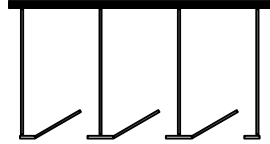
TYPICAL FREE STANDING LAYOUTS



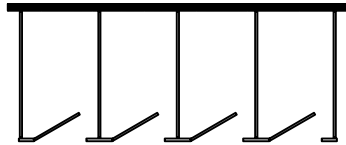
FS - 1
STANDARD
CONFIGURATION



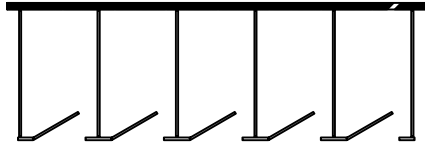
FS - 2
STANDARD
CONFIGURATION



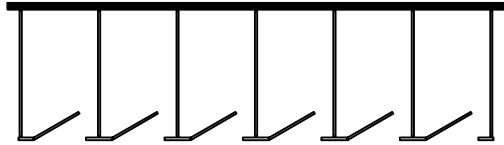
FS-3



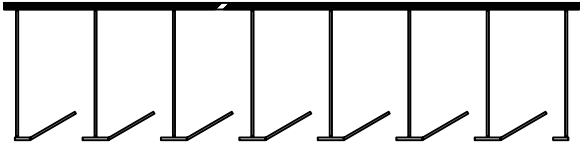
FS-4



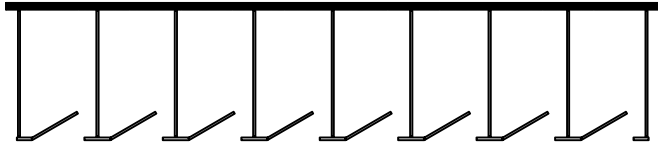
FS-5



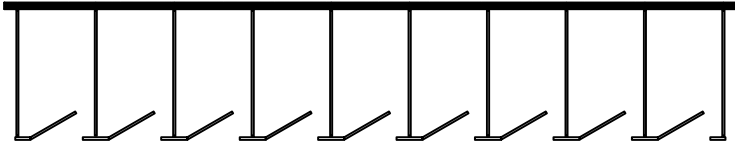
FS-6



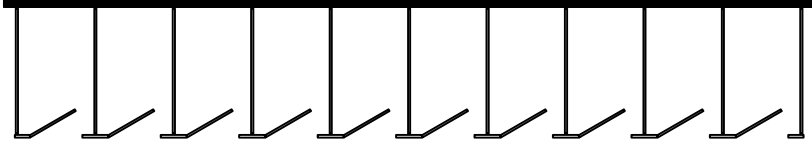
FS-7



FS-8



FS-9

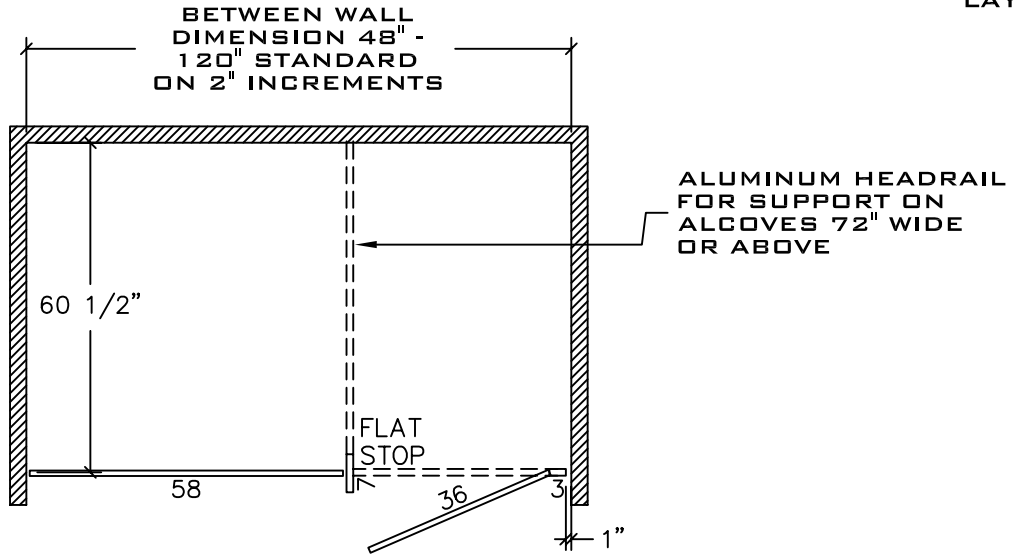


FS-10

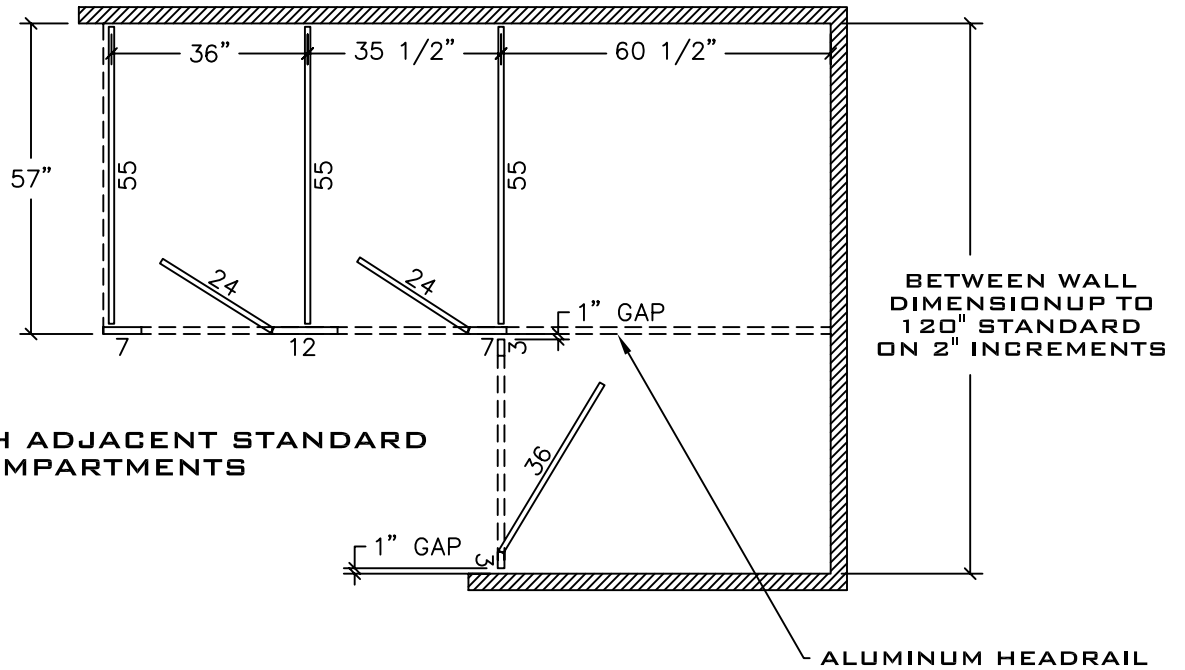
REV 12/04

DETAILS

FLOOR ANCHORED /
OVERHEAD BRACED
TYPICAL ALCOVE
LAYOUTS



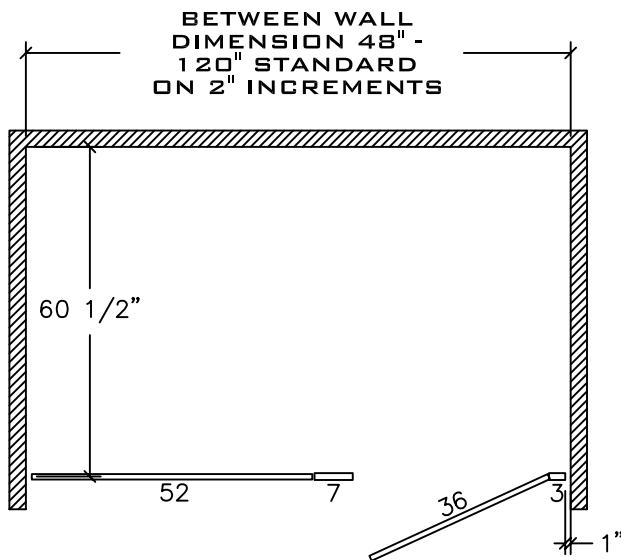
**SINGLE ALCOVE
(PILASTER SET @ 90°)**



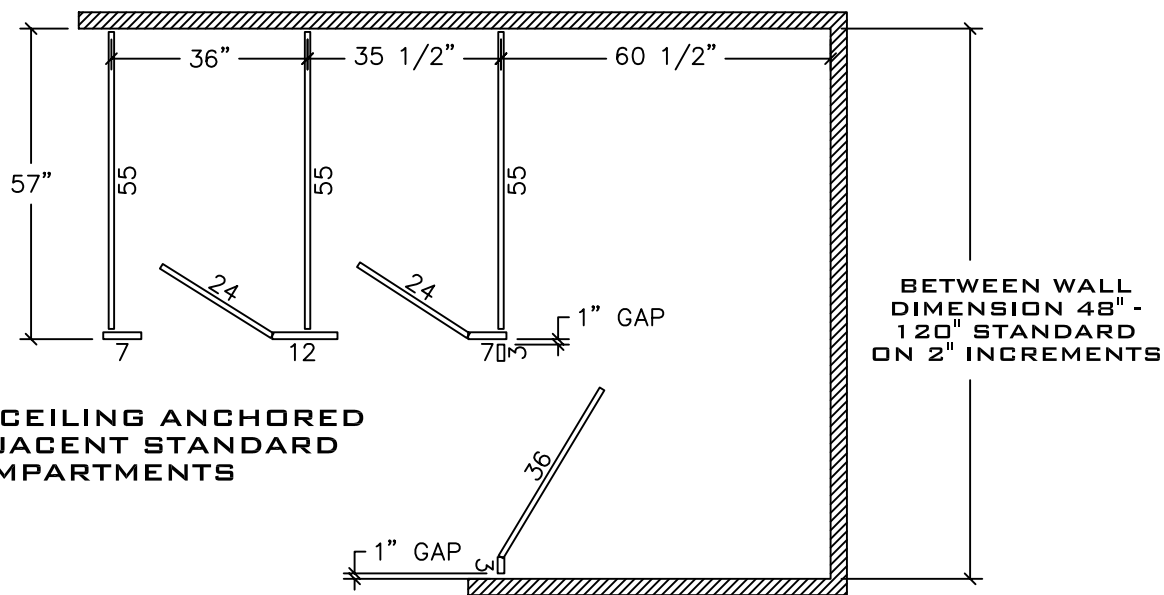
REV 12/04

DETAILS

**FLOOR-TO-CEILING
TYPICAL ALCOVE
LAYOUTS**



FLOOR-TO-CEILING

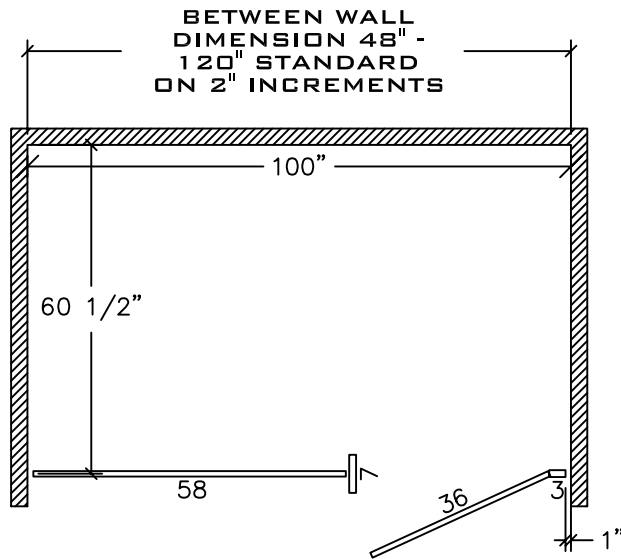


**FLOOR-TO-CEILING ANCHORED
WITH ADJACENT STANDARD
COMPARTMENTS**

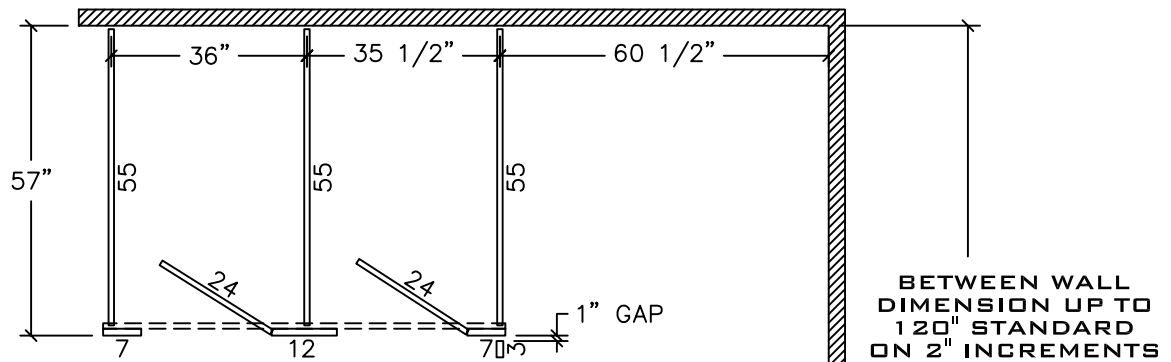
REV 12/04

DETAILS

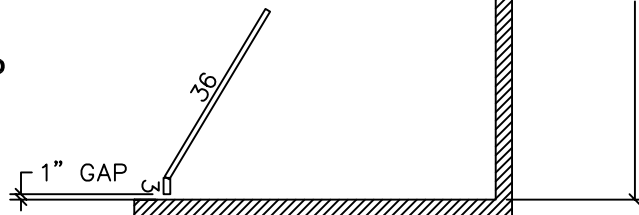
**CEILING HUNG
TYPICAL ALCOVE
LAYOUTS**



**CEILING HUNG
(PILASTER SET @ 90°)**



**CEILING HUNG
WITH ADJACENT STANDARD
COMPARTMENTS**



REV 12/04