

Design Pressure	Product	Maximum Size of Opening	Hardware	Door	Face Type or Frame Glazing	For Use in the HVHZ ¹	FL Building Commission Approval Number
+/-150	Door (Component)	8'0" x 8'0"	Multi Point Lock Surface Vertical Rod	707 747	F, FV, FNV, FNV5, FNV6, FNV7, FNV8, FNV9	Yes	FL11537
+/-150	Frame (Component) Side Panel	8'0" x 8'0"	Multi Point Lock Surface Vertical Rod	707 747	N/A	Yes	FL11537
+/-115	Door and Frame Component	3'0" x 7'0"	Mortise Lock (latch bolt and dead bolt)	757	Flush	Yes	FL11537
+/-115	Door and Frame Component	3'0" x 7'0"	Mortise Lock (latch bolt and dead bolt), Rim Exit	707, 727, or 747	Flush	Yes	FL8768
+/-100	Door and Frame Component	3'0" x 7'0"	Cylindrical, Mortise Lock (latch bolt and dead bolt), Rim Exit	707, 727, 747 777, 777E	Flush	Yes	FL11537
+/-100	Door and Frame Component	3'0" x 7'0"	Cylindrical, Mortise Lock (latch bolt and dead bolt)	757	Flush	Yes	FL11537
+/-100	Door and Frame Assembly	3'0" x 7'0"	Sargent 8200 (latch bolt and deadbolt)	707	Flush	Yes	FL8394
+/-85	Door and Frame Assembly	4'0" x 7'0"	Sargent 8200 with surface bolts	747	Flush	Yes	None
+/-85	Door and Frame Assembly	3'0" x 7'0"	Sargent 6500	707	Flush	Yes	FL8394 FL6705
+/-80	Door and Frame Assembly	3'0" x 7'0"	Sargent 8900	707	Flush	Yes	FL8394
+/-75	Door and Frame Assembly	8'0" x 8'0"	Sargent HC8700 Sargent 8200 with surface bolts on both leaves	747	Flush	Yes	None
+/-72	Door and Frame Assembly	3'0" x 7'0"	Sargent 8200 / Sargent 10 line	707	Up to HG (24 x 32)	Yes	FL8394
+/-70	Door and Frame Component	6'0" x 7'0"	Mortise Lock (latch bolt and dead bolt) active, Flush Bolts Inactive	777 777E	Flush	Yes	FL11537
+/-70	Door (Component)	8'0" x 8'0"	Concealed Vertical Rod, Mortise Lock (latch bolt and dead bolt) active, Surface bolts inactive, Rim Exit, Surface Vertical Rod	707, 727, or 747	Up to HG (32 x 42) Up to FL (34 x 78)	Yes	FL11537
						Yes	FL8768
+/-70	Frame (Component)	8'0" x 8'0"	Concealed Vertical Rod, Mortise Lock (latch bolt and dead bolt) active, Surface bolts inactive, Rim Exit, Surface Vertical Rod	N/A	N/A	Yes	FL11537
						Yes	FL8768
+/-70	Door (Component)	4'0" x 8'0"	Concealed Vertical Rod, Mortise Lock (latch bolt & dead bolt), Rim Exit, Surface Vertical Rod	707, 727, or 747	Up to HG (32 x 42) Up to FL (34 x 78)	Yes	FL11537
						Yes	FL8768
+/-70	Door (Component)	4'0" x 8'0"	Cylindrical Lock, Mortise Lock (latch bolt & dead bolt), Rim Exit	777 777E	Flush	Yes	FL4553
+/-70	Frame (Component)	4'0" x 8'0"	Concealed Vertical Rod, Mortise Lock (latch bolt and dead bolt), Rim Exit, Surface Vertical Rod	N/A	N/A	Yes	FL11537
						Yes	FL8768
+/-70	Door (Component)	3'0" x 7'0"	Mortise lock (latch bolt & dead bolt), Cylindrical lock and Deadbolt, Interconnected Lock	607, 707, 727 or 747	Up to HG (32 x 42) Up to FL (34 x 78)	Yes	FL11537
						Yes	FL8768
+/-70	Frame: ReadySet Frame (Component)	3'0" x 7'0"	Mortise lock (latch bolt & dead bolt), Cylindrical lock and Deadbolt, Interconnected Lock	N/A	N/A	Yes	FL8768
						Yes	FL8768
+/-62	Door and Frame Assembly	8'0" x 8'0"	Sargent HC8700	747	Flush	Yes	FL8394

NOTE: Doors, frame, and hardware certified to: TAS 201, 202, 203, ASTM E330, E1886, E1996, ANSI A250.13 except where noted.

1) Products approved for use inside and outside high velocity Hurricane Zone (HVHZ). See Hurricane-Resistant Guide on website. www.curries.com

Windstorm Technical Data

February, 2012

Design Pressure	Product	Maximum Size of Opening	Hardware	Door	Face Type or Frame Glazing	For Use in the HVHZ ¹	FL Building Commission Approval Number
+/-60	Door and Frame Assembly	6'0" x 7'0"	Sargent 8200 (latch bolt and deadbolt)	707	F	Yes	FL8394
+/-60	Door (Component)	6'0" x 8'0"	Concealed Vertical Rod, Mortise Lock (latch bolt and dead bolt) active, Surface bolts inactive, Rim Exit, Surface Vertical Rod	707, 727 or 747	Up to FG (24 x 66) Up to FL (24 x 78)	Yes	FL11537
+/-60	Frame With/Without Transom (Component)	Frame 6'0" x 8'0" or Transom Frame	Concealed Vertical Rod, Mortise Lock (latch bolt and dead bolt active), Surface bolts inactive, Rim Exit, Surface Vertical Rod	N/A	Glasslam Laminated Glass; 707 or 747 panels	Yes	FL11537
+/-60	Door (Component)	3'0" x 8'0"	Concealed Vertical Rod, Mortise Lock (latch bolt and dead bolt), Rim Exit, Surface Vertical Rod	707, 727 or 747	Up to FG (24 x 66) Up to FL (24 x 78)	Yes	FL11537
+/-60	Frame With/Without Transom (Component)	Frame 3'0" x 8'0" or Transom Frame	Concealed Vertical Rod, Mortise Lock (latch bolt and dead bolt), Rim Exit, Surface Vertical Rod	N/A	Glasslam Laminated Glass; 707 or 747 panels	Yes	FL11537
+/-60	Door (Component)	3'0" x 7'0"	Concealed Vertical Rod, Rim Exit, Surface Vertical Rod Mortise Exit	607, 707, 727 or 747	Up to FG (24 x 66) Up to FL (24 x 78)	Yes Yes	FL11537 FL6351
+/-60	Door (Component)	3'0" x 7'0"	Mortise lock Cylindrical lock Interconnected Lock	607, 707, 727 or 747	Up to FG (24 x 66) Up to FL (24 x 78)	Yes Yes	FL11537 FL6351
+/-60	Door (Component)	6'0" x 7'0"	Rim Exit	607, 707, 727 or 747	Up to FG	Yes	FL11537
+/-60	Frame (Component) ReadySet	3'0" x 7'0"	Cylindrical lock Mortise Lock	N/A	N/A	Yes Yes	FL11537 FL6351
+/-60	Frame (Component)	3'0" x 7'0"	Cylindrical lock Mortise Lock	N/A	N/A	Yes Yes	FL11537 FL6351
+/-60	Frame (Component) Max Door Size: 3'0" x 7'0"	Sidelight: 4'0" x 7'0"	Concealed Vertical Rod, Cylindrical lock Mortise Lock, Rim Exit, Surface Vertical Rod Interconnected Lock	N/A	Glasslam Laminated Glass; 707 or 747 panels	Yes Yes	FL9004 FL6351
+/-60	Frame (Component)	Transom: 3'0" x 10'2"	Concealed Vertical Rod, Cylindrical lock Mortise Lock, Rim Exit, Surface Vertical Rod Interconnected Lock	N/A	Glasslam Laminated Glass; 707 or 747 panels	Yes Yes	FL11537 FL6351
+/-60	Store Front	Frame: 10'0" height	N/A	N/A	Glasslam Laminated Glass 707 or 747 panels	Yes Yes	FL9004
+/-57.2	Door and Frame Assembly	4'0" x 7'0"	Sargent HC8800	747	F	Yes	FL8394
+/-50	Door and Frame Assembly	8'0" x 8'0"	Sargent 10 line or 6500 Series with 480 deadbolt 988 surface bolts both leafs	707	FGL up to 32" x 74"	Yes	FL8394
+/-50	Door Component	3'0" x 7'0"	Mortise Lock, Cylindrical Lock and Rim Exit	607 or 707	F	Yes	FL11537
+/-50	Frame Component	3'0" x 7'0"	Mortise Lock, Cylindrical Lock and Rim Exit	607 or 707	N/A	Yes	FL11537

NOTE: Doors, frame, and hardware certified to: TAS 201, 202, 203, ASTM E330, E1886, E1996, ANSI A250.13 except where noted.

1) Products approved for use inside and outside high velocity Hurricane Zone (HVHZ). See Hurricane-Resistant Guide on website. www.curries.com

Static Test Pressure	Static Design Pressure	Impact	Product	Maximum Size of Opening	Hardware	Door	Face Type	Certification Agency
+/- 252	+/- 210	15 lb 2 x 4 @ 100 mph	StormPro Door and Frame Assembly	4'0" x 8'0" Single or 8'0" x 8'0" Pair	Multi Point Lock (Corbin FE6800, Sargent FM7100, Yale 7380(F) Active or single 988CR, 988, 988Y inactive)	StormPro 361	F	UL
+ 296 - 270	+ 246 - 225	15 lb 2 x 4 @ 100 mph	StormPro Door and Frame Assembly	4'0" x 8'0" single or 8'0" x 8'0" Pair	Sargent FM8700 Sargent HC980 Mullion Optional	StormPro 361	F	UL
+/- 197	+/- 146	15 lb 2 x 4 @ 100 mph	Door and Frame Assembly	3'0" x 7'0"	Sargent 10 line; Three Medeco Maximum Dead Bolts	StormPro 320	F	UL
+/- 252	+/- 210	15 lb 2 x 4 @ 100 mph	Door and Frame Shutter	4'0" x 6'8"	Corbin Russwin FE 6700, Sargent FM 6100, Yale 7370(F)	StormPro Shutter	F	UL
+/- 296	+/- 246	15 lb 2 x 4 @ 100 mph	StormPro Door and Frame Assembly	4'0" x 8'0" Single or 8'0" x 8'0" Pair	Multi Point Exit Corbin FE708A Mullion Required for Pairs	StormPro 361	F	UL

Fire Rated Impact Glazing

Design Pressure	Product	Maximum Size of Opening	Hardware	Door	Face Type or Frame Glazing	Certification Agency	Dade County Acceptance Number	Florida Building Commission Approval Number
+/-70	Frame w/w Transom (Component)	3'0" x 8'0" single 6'0" x 8'0" pair Maximum frame size in masonry 13'6" x 8'0" 12'0" x 8'0" in stud walls	Concealed Vertical Rod, Mortise Lock (latch bolt & dead bolt active: Surface bolts inactive), Rim Exit, Surface Vertical Rod	N/A	Vetrotech Fire/Hurricane Impact Rated Glass	WHI	None	FL12537
+/-70	Window Frame	Maximum 13'6" x 8'0" in masonry 12'0" x 8'0" in stud walls	Concealed Vertical Rod, Mortise Lock (latch bolt & dead bolt active: Surface bolts inactive), Rim Exit, Surface Vertical Rod	N/A	Vetrotech Fire/Hurricane Impact Rated Glass	WHI	None	FL12537

NOTE: 70 psf transom sidelight frame may be fire rated up to and including 90 minutes. Use Vetrotech SGG Swissflam 45 IGU HI for 45 minute rated frames. Vetrotech SGG Contraflam 60 IGU HI for 60 minutes rated frames, and Vetrotech SGG Contraflam 90 IGU HI for 90 minute rated frames.

Doors rated at 70 psf and less may be fire rated up to and including 90 minutes using Vetrotech SGG Keralite FR-Ultra IGU HI. Maximum size 23" x 53"

September, 2010

DESIGN PRESSURE +/- 70 psf IMPACT MISSILE LEVEL - D 90 MINUTE MAXIMUM RATING CLEAR GLASS ONLY			
MAXIMUM FRAME SIZES			
MASONRY	MAXIMUM OVERALL TRANSOM FRAME SIZE		
	MASONRY	13'6" WIDTH	100" HEIGHT
	STUD CONSTRUCTION	12'0" WIDTH	100" HEIGHT
	MAXIMUM OVERALL SIDELIGHT FRAME SIZE		
	MASONRY	13'6" WIDTH	100" HEIGHT
	STUD CONSTRUCTION	12'0" WIDTH	100" HEIGHT
	MAXIMUM SINGLE OUT-SWING DOOR SIZE	36" WIDTH	96" HEIGHT
	MAXIMUM SINGLE IN-SWING DOOR SIZE	36" WIDTH	84" HEIGHT
	MAXIMUM PAIR OF OUT-SWING DOORS SIZE	72" WIDTH	96" HEIGHT
	MAXIMUM SIDE LIGHT OR PANEL OPENING SIZE	36" WIDTH	94" HEIGHT
	MAXIMUM VISIBLE LIGHT - 45/60 MINUTE	34-3/4" WIDTH	92-3/4" HEIGHT
	MAXIMUM VISIBLE LIGHT - 90 MINUTE	34-3/4" WIDTH	88-9/16" HEIGHT
MAXIMUM TRANSOM LIGHT OR PANEL OPENING	72" WIDTH	14" HEIGHT	
MAXIMUM VISIBLE LIGHT	70-3/4" WIDTH	30" HEIGHT	
WALL CONSTRUCTION BUILDING STRUCTURE	ALLOWED IN MASONRY, STEEL STUD, WOOD STUD, WALLS, OR STEEL		
FRAME CONSTRUCTION	16 GAUGE STEEL FRAME WITH REINFORCEMENTS AND WELDED CORNER CONSTRUCTION		
FRAME DIMENSIONS	JAMB AND MULLION DEPTH – MINIMUM - 5-3/4" - MAXIMUM - 14" JAMB FACES - 2" HEAD AND MULLION FACES - MINIMUM - 2" - MAXIMUM – 4" SOFFIT – MINIMUM - 1" RABBET (DOOR SIDE) – MINIMUM – 1-15/16" 1-5/16" THICKNESS - 45 MINUTE RATED GLASS - RECOMMEND 2-1/8" (2.125) RABBET 1-9/16" THICKNESS - 60 MINUTE RATED GLASS - RECOMMEND 2-3/8" (2.375) RABBET 1-7/8" THICKNESS - 90 MINUTE RATED GLASS - RECOMMEND 2-11/16" (2.6875) RABBET STOP HEIGHT (DOOR STOP AND GLAZING) MINIMUM – 5/8"		
REMOVABLE STOPS	MATERIAL – COLD ROLLED, GALVANIZED, GALVANNEALED, OR STAINLESS STEEL 18 GAUGE STEEL STOP DEPTH – MINIMUM 5/8" FASTENERS - #8x 1-1/2" OVAL HEAD TEK SCREWS. LOCATED 2" FROM END AND 12" ON CENTER MAXIMUM		
ANCHORS	MASONRY "T", PIPE SPACER, WIRE ANCHOR, WELDED EWA, WOOD STUD, OR STEEL STUD ANCHORS		
DOOR	HURRICANE-RESISTANT LISTED AND FIRE RATED 707, 727, OR 747 MAXIMUM VISIBLE LIGHT IN DOOR 23" WIDTH, 53" HEIGHT TYPE 8 WINDOW KIT ONLY, 1-5/8" POCKET		
HARDWARE RESTRICTIONS	HARDWARE RESTRICTED TO WINDSTORM LISTED PRODUCTS		

**DESIGN PRESSURE +/- 70 PSF
IMPACT MISSILE LEVEL - D 350 FT/LBS
NON FIRE RATED**

LOUVER NOTES:

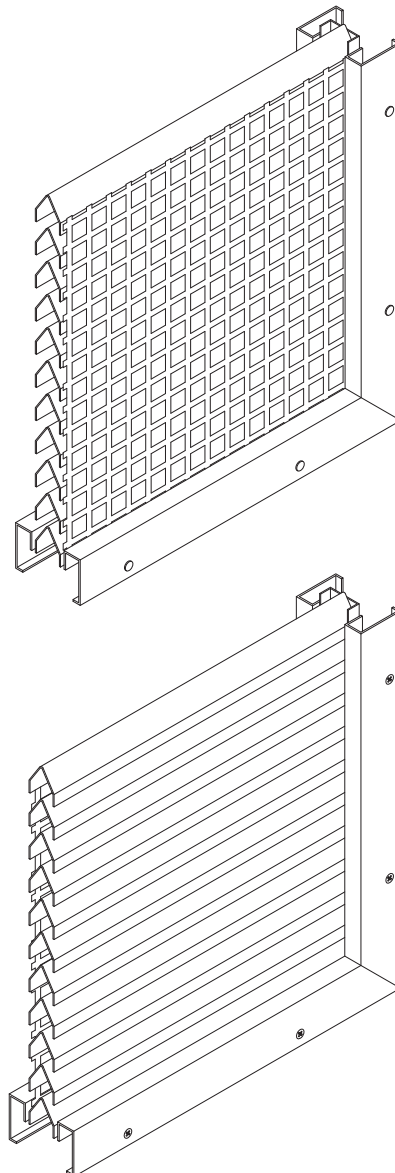
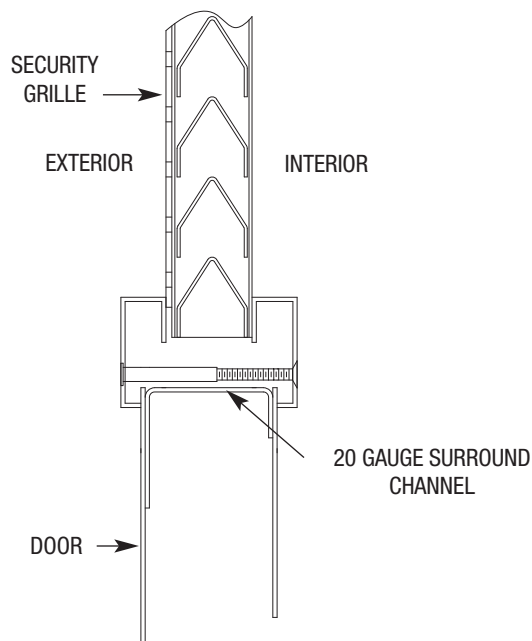
- CAN ONLY BE USED IN CURRIES 707 OR 747 DOOR CONSTRUCTION.
- ONLY CURRIES WL60 LOUVER CAN BE USED.
- LOUVER INCLUDES GALVANIZED MATERIAL AND SECURITY SCREEN.
- 20 GAUGE SURROUND CHANNEL MUST BE INSTALL ON PERIMETER OF LOUVER CUTOUT.
- MUST BE FACTORY INSTALL OR BY A UL OR WARNOCK WINDSTORM SECOND LOCATION.
- CAN BE USED WITH ANY HURRICANE-RESISTANT APPROVED HARDWARE.
- A 6" MINIMUM DIMENSION FORM STILE OR RAIL IS REQUIRED.
- BUG SCREEN IS OPTIONAL.
- FREE AIR FLOW = 40%

SIZES:

3070 DOOR – 12" MINIMUM, 24" MAXIMUM WIDTH
12" MINIMUM, 72" MAXIMUM HEIGHT

3080 DOOR – 12" MINIMUM, 24" MAXIMUM WIDTH
12" MINIMUM, 78" MAXIMUM HEIGHT

4080 DOOR – 12" MINIMUM, 34" MAXIMUM WIDTH
12" MINIMUM, 78" MAXIMUM HEIGHT





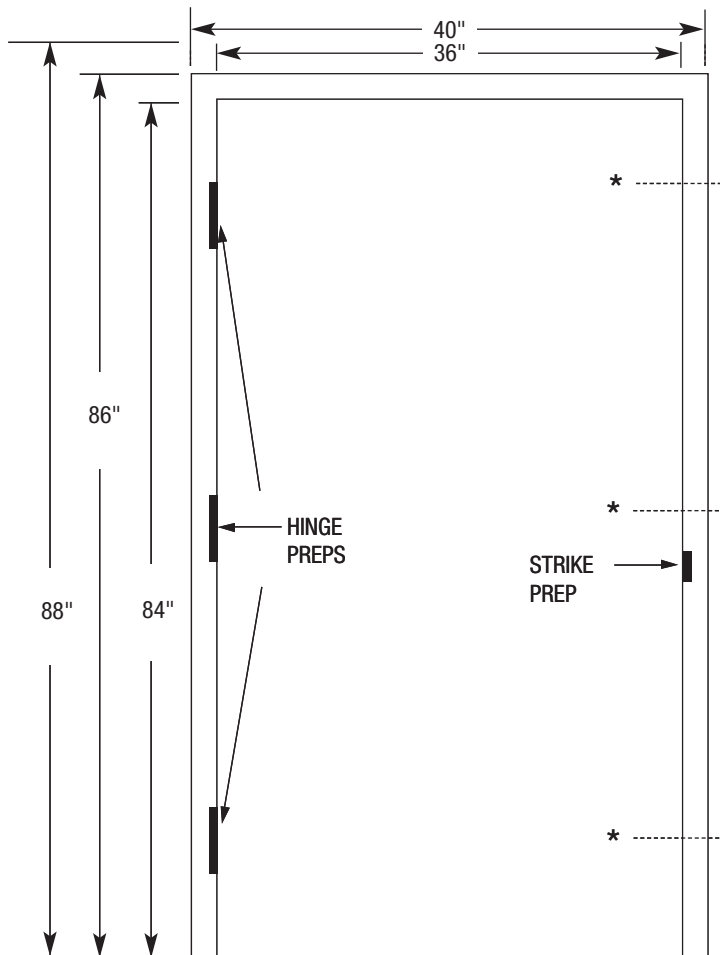
Windstorm Technical Data

August, 2012

**ONLY AVAILABLE WITH SDI HINGE LOCATIONS**

STORMPRO 320 DOOR AND FRAME ASSEMBLY
STATIC TEST PRESSURE 1.37 PSI (+/- 197 PSF)
STATIC DESIGN PRESSURE (+/- 146 PSF)

SINGLE OPENING 3070 MAXIMUM
 MASONRY FLUSH PROFILE 14 GAUGE STEEL
 KD OR SEAM WELDED CORNERS
 JAMB DEPTHS 5-3/4" THROUGH 14"
 4" FACE HEAD OPTION

ANCHORS

MASONRY T - 5 PER JAMB PLUS 2WPS IN THE HEAD.
 LOCATE T ANCHORS BETWEEN COURSES OF BLOCKS OR WELDED PIPE
 SPACER 5 PER JAMB 2 PER HEAD.

OPTION: 3/8 X 5" RAMSET HEAD IN MASONRY
 3/8 X 5" LAGBOLTS IN WOOD

HARDWARE REQUIRED

1-1/2 PR. 4-1/2" X 4-1/2" HEAVY WEIGHT HINGES

1-1/2 PR. 5" X 4-1/2" HEAVY WEIGHT HINGES
 (MCKINNEY) +

1 SARGENT 10 LINE LOCK WITH 808 STRIKE (STAINLESS)
 3 MEDECO MAXUM DEADBOLTS (COMMERCIAL)

+ STAINLESS HINGE OR STAINLESS SCREWS.
 (MCKINNEY SP 3386 OR SP 3786)

* STRIKE PREPARATION FOR MEDECO MAXUM DEADBOLT.

NO STRIKE REQUIRED.
 PREPARATION IN FRAME IS ALL THAT IS NEEDED.
 PREPARATION IS COMPLETE IN FRAME INCLUDING COVERBOX.

ONLY AVAILABLE WITH SDI HINGE LOCATIONS



**STORMPRO 320 DOOR AND FRAME ASSEMBLY
 STATIC TEST PRESSURE 1.37 PSI (+/- 197 PSF)
 STATIC DESIGN PRESSURE (+/- 146 PSF)**

- FLUSH DOORS ONLY, HANDED "A" BEVEL
- SINGLE OPENING 3070 MAXIMUM
- 747 SERIES 14 GAUGE STEEL
- T WELDED SEAMLESS EDGES
- WELDED FLUSH TOP CAP

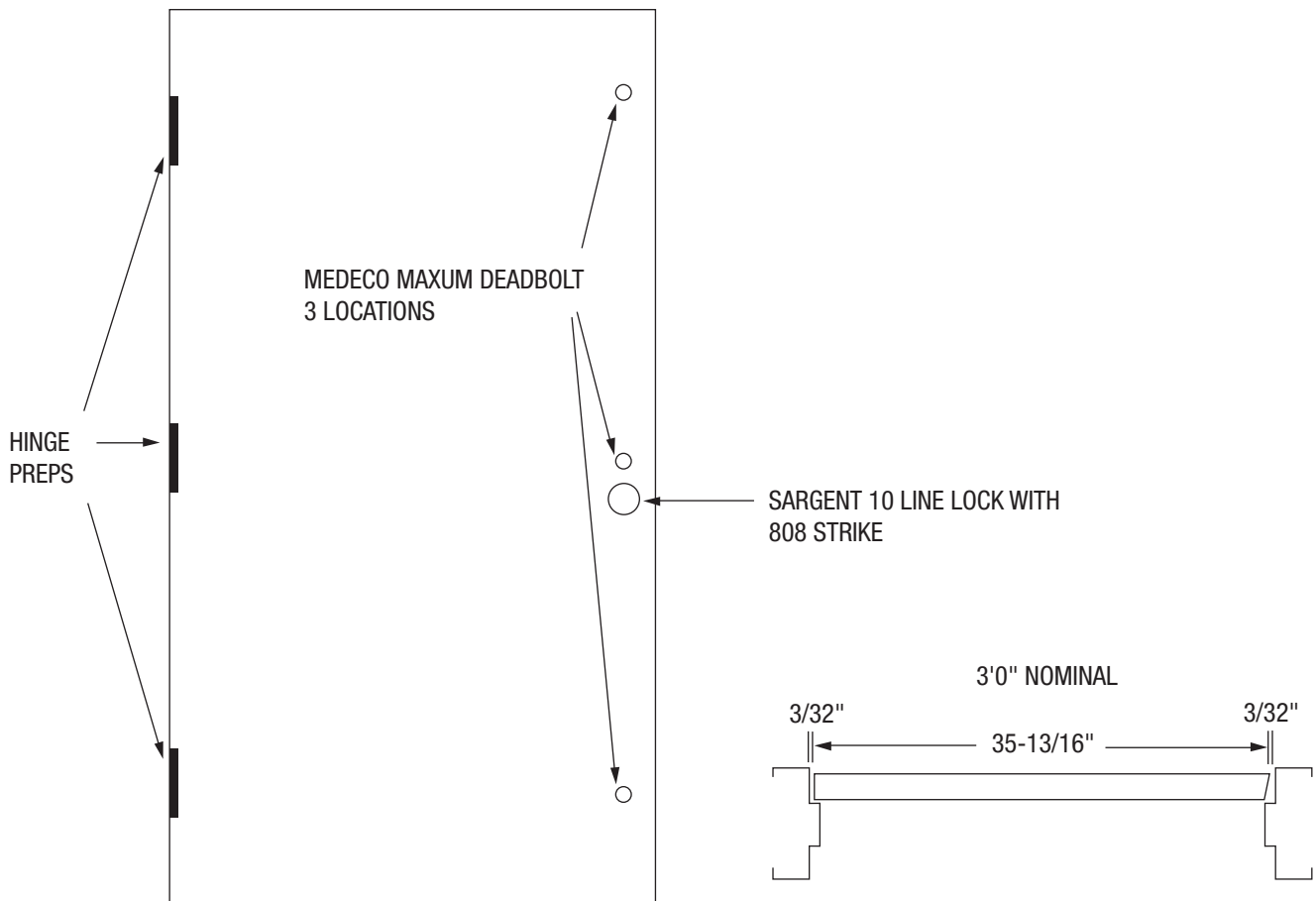
HARDWARE REQUIRED

1-1/2 PR. 4-1/2" X 4-1/2" HEAVY WEIGHT HINGES+

1-1/2 PR. 5" X 4-1/2" HEAVY WEIGHT HINGES+
 (MCKINNEY)

1 SARGENT 10 LINE LOCK WITH 808 STRIKE (STAINLESS)
 3 MEDECO MAXUM DEADBOLTS (COMMERCIAL)

+ STAINLESS HINGE OR STAINLESS SCREWS.
 (MCKINNEY SP 3386 OR SP 3786)



October, 2011

**ONLY AVAILABLE WITH SDI HINGE LOCATIONS****STORMPRO 361 DOOR AND FRAME ASSEMBLY****STATIC TEST PRESSURE (+/- 297 PSF)****STATIC DESIGN PRESSURE (+/- 246 PSF)****FOR USE WITH SARGENT FM8700 SURFACE VERTICAL ROD EXIT DEVICE****MEETS FEMA 361 (AUGUST 2008) AND ICC 500-2008 STANDARD****HINGES:**

4-1/2" X 4-1/2" HEAVYWEIGHT +
 5" X 4-1/2" HEAVYWEIGHT +
 MARKAR HG305
 MCKINNEY MCK-305

+ STAINLESS HINGE OR STAINLESS
 SCREWS (MCKINNEY SP 3386
 OR SP 3786)

14 GA. (1.9) FACE SKINS
 GALVANNEALED

SQUARE HINGE EDGE
 BEVEL 1/8" IN 2" ON LOCK EDGE

OUT-SWING ONLY

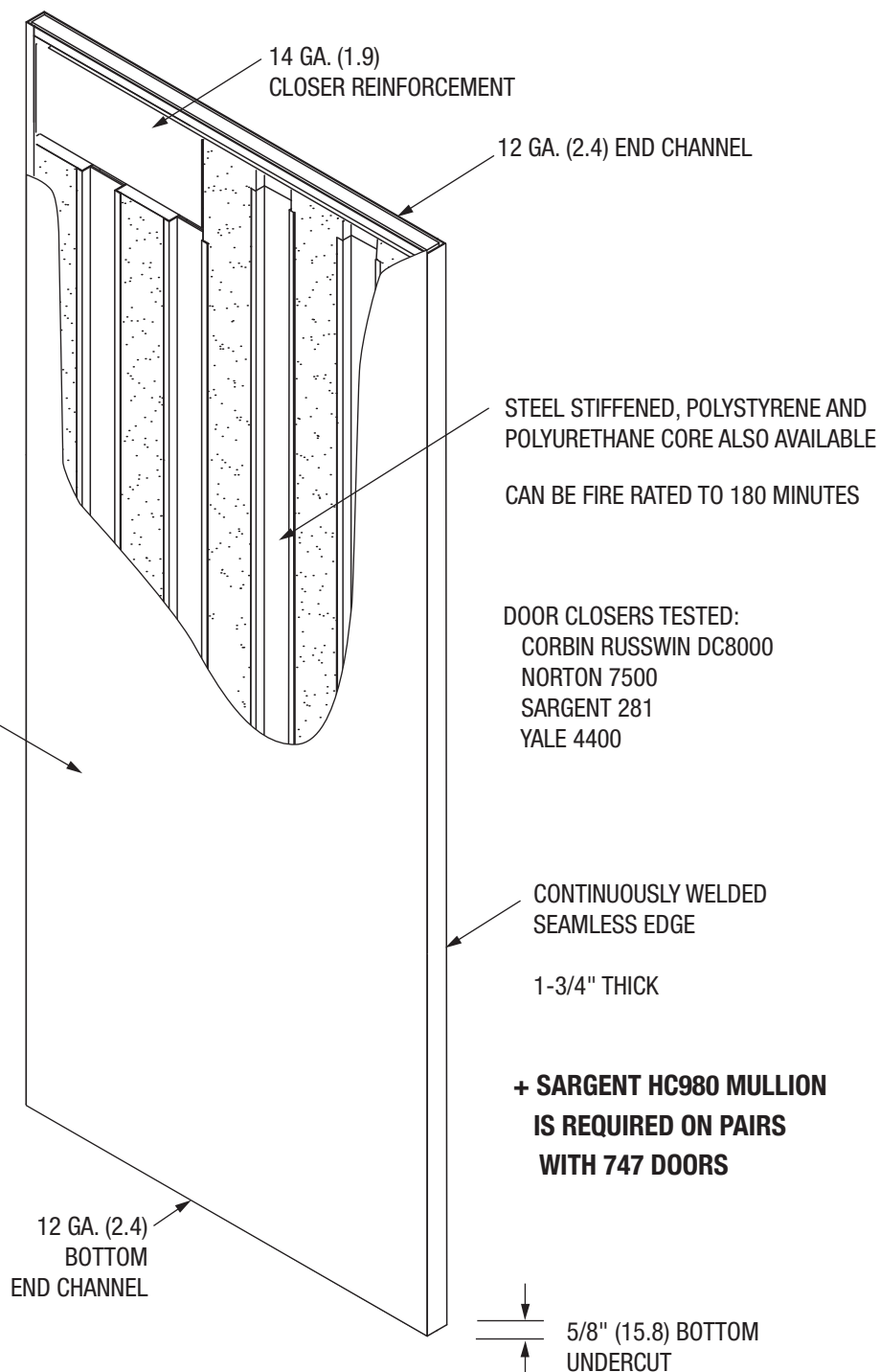
MINIMUM SIZE:

2'8" X 6'8"
 5'4" X 6'8"

MAXIMUM SIZE:

4'0" X 8'0" SINGLE *
 8'0" X 8'0" PAIRS

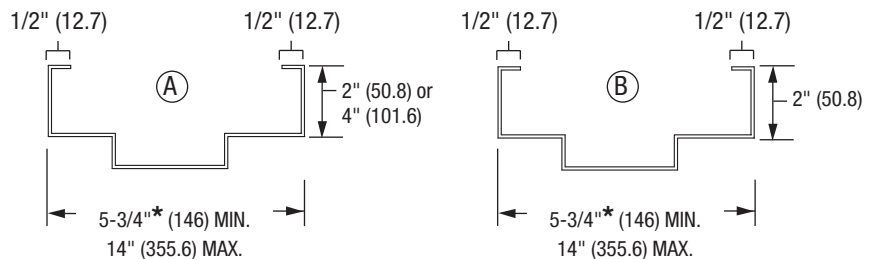
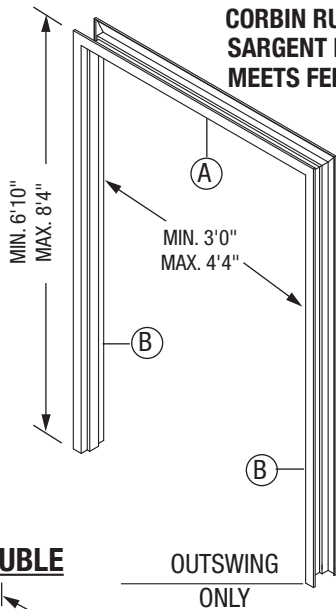
* FIRE RATED SINGLE
 REQUIRES FIRE PINS
 IN LOCK EDGE OF DOOR.



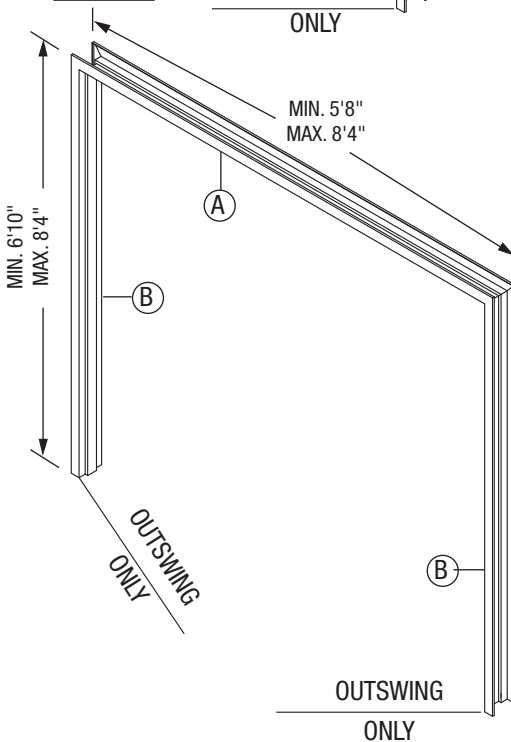
ONLY AVAILABLE WITH SDI HINGE LOCATIONS

STORMPRO 361 DOOR AND FRAME ASSEMBLY
STATIC TEST PRESSURE (+/- 297 PSF)
STATIC DESIGN PRESSURE (+/- 246 PSF)
FOR USE WITH THE SARGENT FM8700 SURFACE VERTICAL ROD EXIT DEVICE
CORBIN RUSSWIN FE 5400S+ AND YALE 7180 (F) TD+ MULTI-POINT EXIT DEVICE
SARGENT HC 980 HARDWARE MULLION REQUIRED ON PAIRS WITH SARGENT FM 8700
MEETS FEMA 361 (AUGUST 2008) AND ICC 500-2008 STANDARD

SINGLE



DOUBLE



FRAMES ARE 14 GAUGE (1.9) A60, KD OR FACE WELDED CORNER CONSTRUCTION

HINGES:

- 4-1/2" X 4-1/2" HEAVYWEIGHT +
- 5" X 4-1/2" HEAVYWEIGHT +
- MARKAR HG305
- MCKINNEY MCK-305
- + STAINLESS HINGE OR STAINLESS SCREWS (MCKINNEY SP 3386 OR SP 3786)

CAN BE FIRE RATED UP TO 180 MINUTES

JAMB ANCHOR OPTIONS:

- MASONRY - "T" ANCHORS
- MASONRY - WIRE ANCHORS
- WELDED EXISTING OPENING PREPS WITH BOLTS

6 WALL ANCHORS PER JAMB

WELDED WPS OR WEMA ANCHORS.

WPS AND WEMA ANCHORS MUST BE WELDED AT THE FACTORY.
 MASONRY EXPANSION SHELL ANCHOR BOLT INCLUDED WHEN WPS OR WEMA ANCHORS ARE ORDERED.

- 2 WPS OR WEMA ANCHORS PER HEAD UP TO 3'0"
- 3 WPS OR WEMA ANCHORS PER HEAD OVER 3'0" TO 4'0"
- 4 WPS OR WEMA ANCHORS PER HEAD ON PAIRS 6'0" AND SMALLER
- 5 WPS OR WEMA ANCHOR PER HEAD ON PAIRS OVER 6'0" AND UP TO 8'0"
- WPS OR WEMA ANCHORS REQUIRED IN HEAD REGARDLESS OF TYPE OF JAMB ANCHOR USED.
- ANCHOR BOLTS INCLUDED WHEN WPS OR WEMA ANCHORS ARE ORDERED

FRAMES MUST BE INSTALLED AND ANCHORED PER SUBMITTAL PAGES.
 WALLS CONSTRUCTED AS DESCRIBED IN FEMA 361 (DESIGN AND CONSTRUCTION GUIDANCE FOR COMMUNITY SAFE ROOMS).

+ REQUIRES CORBIN RUSSWIN FE708A OR YALE M200 (F)WS HARDWARE MULLION ON PAIRS OF DOORS



December, 2011



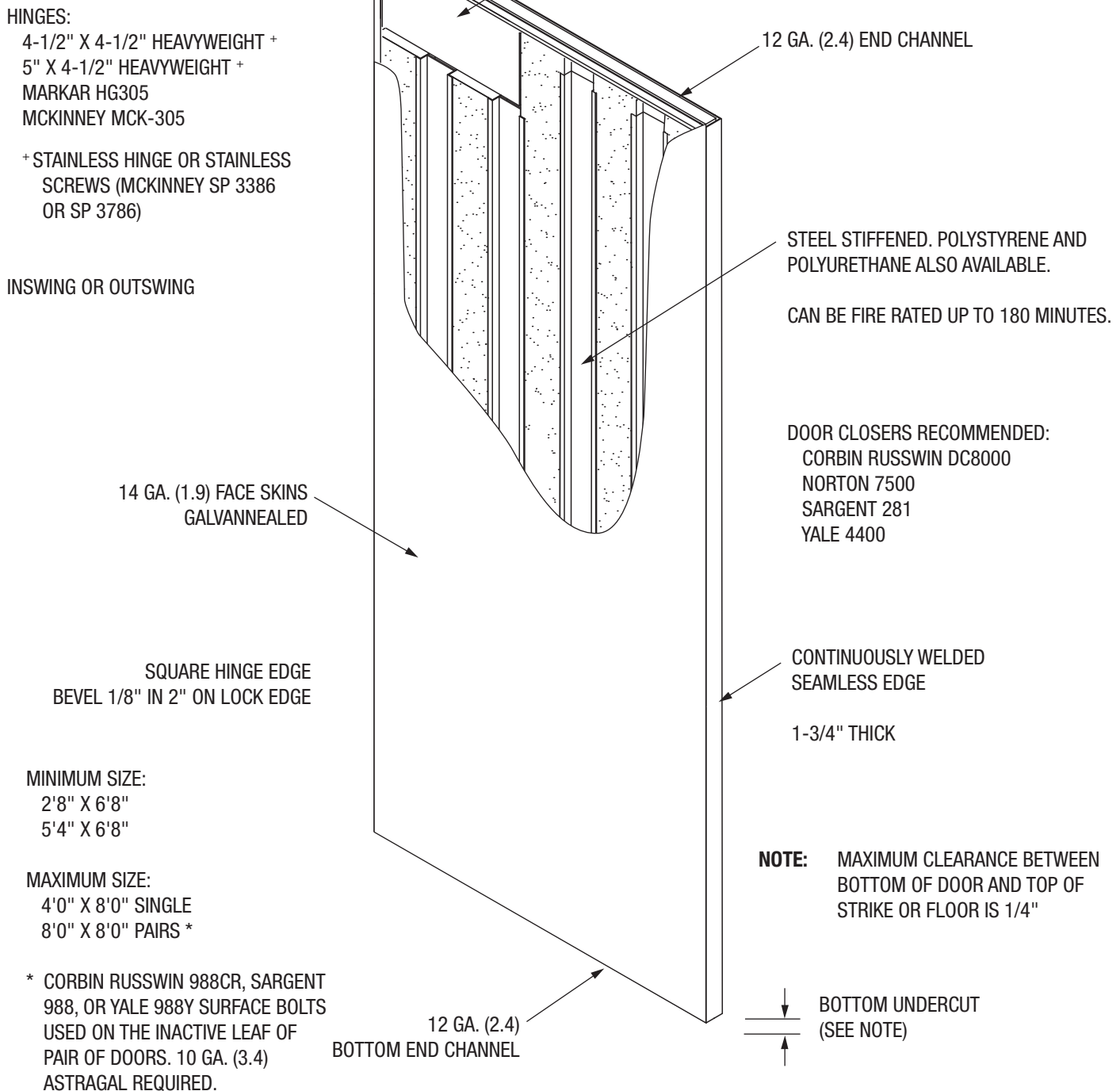
ONLY AVAILABLE WITH SDI HINGE LOCATIONS

STORMPRO 361 DOOR AND FRAME ASSEMBLY

STATIC TEST PRESSURE (+/- 297 PSF)

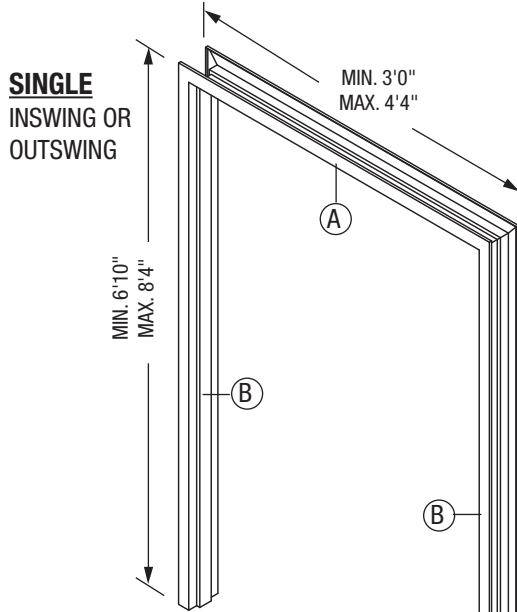
STATIC DESIGN PRESSURE (+/- 246 PSF)

FOR USE WITH CORBIN RUSSWIN FE6800, SARGENT FM7100, OR YALE 7380 (F) MULTI-POINT LOCK.

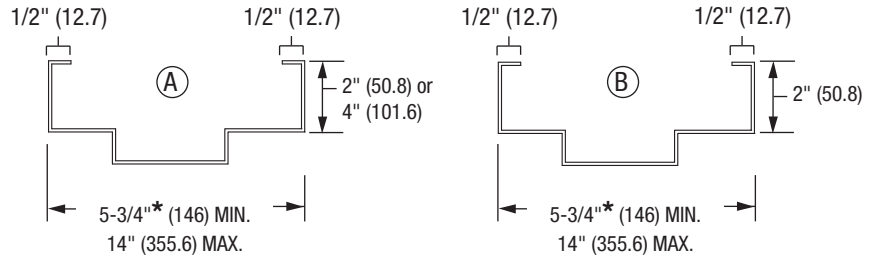




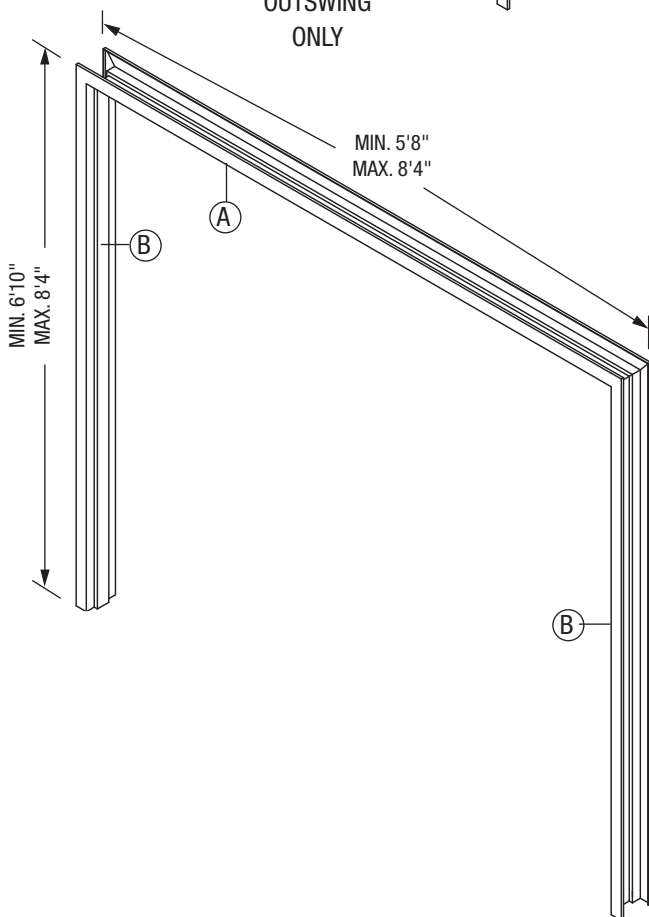
ONLY AVAILABLE WITH SDI HINGE LOCATIONS



STORMPRO 361 DOOR AND FRAME ASSEMBLY
STATIC TEST PRESSURE (+/- 297 PSF)
STATIC DESIGN PRESSURE (+/- 246 PSF)
FOR USE WITH CORBIN RUSSWIN FE6800, SARGENT FM7100,
OR YALE 7380 (F) MULTI-POINT LOCK.
MEETS FEMA 361 (AUGUST 2008) AND ICC 500-2008 STANDARD



DOUBLE
INSWING OR
OUTSWING



FRAMES ARE 14 GAUGE (1.9) A60, KD OR FACE
 WELDED CORNER CONSTRUCTION

HINGES:

- 4-1/2" X 4-1/2" HEAVYWEIGHT +
- 5" X 4-1/2" HEAVYWEIGHT +
- MARKAR HG305
- MCKINNEY MCK-305

+ STAINLESS HINGE OR STAINLESS SCREWS (MCKINNEY
 SP 3386 OR SP 3786)

CAN BE FIRE RATED UP TO 180 MINUTES

JAMB ANCHOR OPTIONS:

- MASONRY - "T" ANCHORS
- MASONRY - WIRE ANCHORS
- WELDED EXISTING OPENING PREPS WITH BOLTS

6 WALL ANCHORS PER JAMB

WELDED WPS OR WEMA ANCHORS.

WPS AND WEMA ANCHORS MUST BE WELDED AT THE FACTORY.
 MASONRY EXPANSION SHELL ANCHOR BOLT INCLUDED WHEN WPS
 OR WEMA ANCHORS ARE ORDERED.

- 2 WPS OR WEMA ANCHORS PER HEAD UP TO 3'0"
- 3 WPS OR WEMA ANCHORS PER HEAD OVER 3'0" TO 4'0"
- 4 WPS OR WEMA ANCHORS PER HEAD ON PAIRS 6'0" AND SMALLER
- 5 WPS OR WEMA ANCHOR PER HEAD ON PAIRS OVER 6'0"
 AND UP TO 8'0"

WPS OR WEMA ANCHORS REQUIRED IN HEAD REGARDLESS OF TYPE
 OF JAMB ANCHOR USED.
 ANCHOR BOLTS INCLUDED WHEN WPS OR WEMA ANCHORS ARE
 ORDERED.

FRAMES MUST BE INSTALLED AND ANCHORED PER SUBMITTAL PAGES.
 WALLS CONSTRUCTED AS DESCRIBED IN FEMA 361 (DESIGN AND
 CONSTRUCTION GUIDANCE FOR COMMUNITY SAFE ROOMS).

October, 2011



ONLY AVAILABLE WITH SDI HINGE LOCATIONS

STORMPRO 361 DOOR AND FRAME ASSEMBLY

STATIC TEST PRESSURE (+/- 297 PSF)

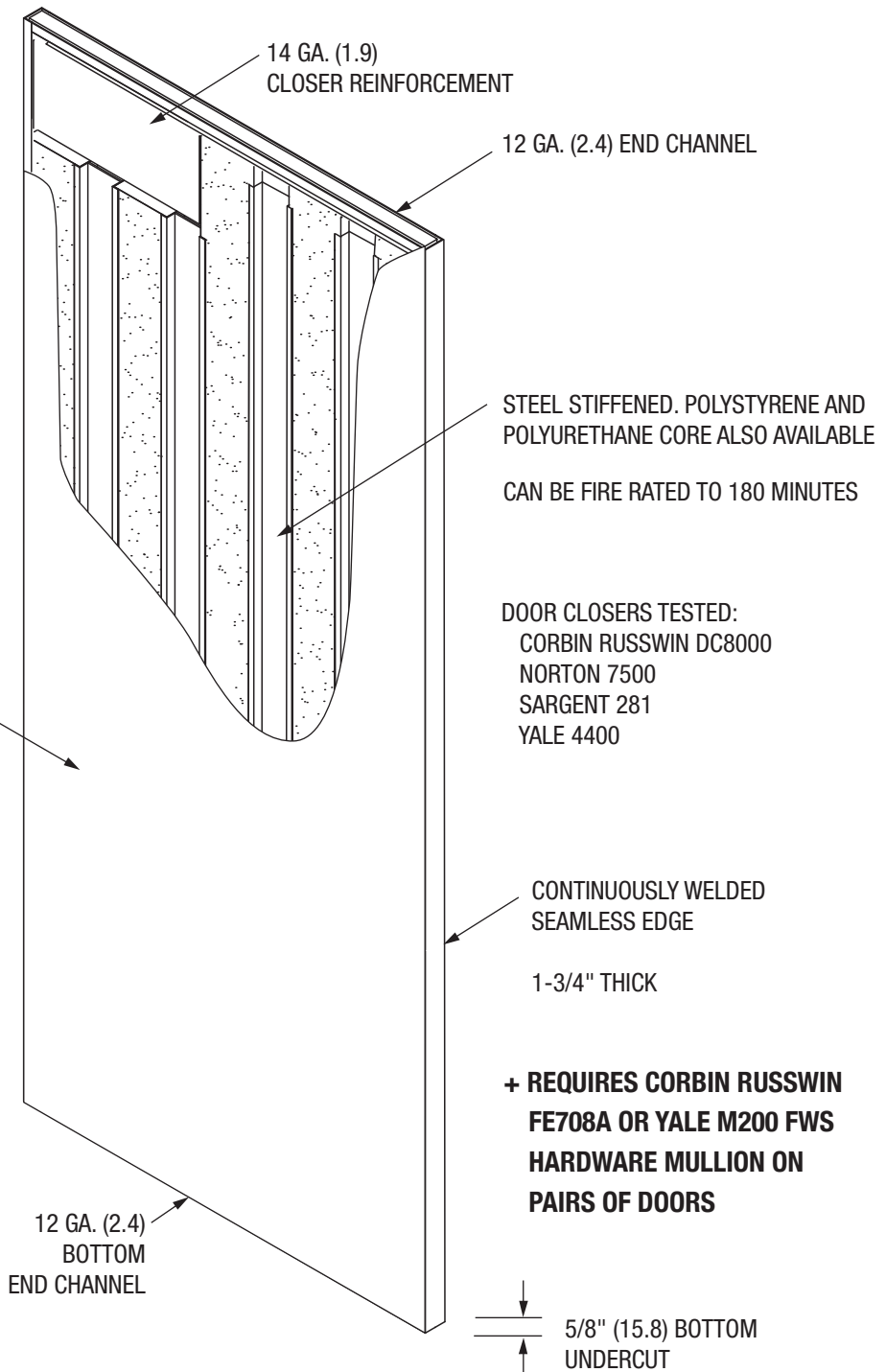
STATIC DESIGN PRESSURE (+/- 246 PSF)

CORBIN RUSSWIN FE5400S+ AND YALE 7180 (F) WS+ MULTI-POINT EXIT DEVICE

MEETS FEMA 361 (AUGUST 2008) AND ICC 500-2008 STANDARD

HINGES:
 4-1/2" X 4-1/2" HEAVYWEIGHT +
 5" X 4-1/2" HEAVYWEIGHT +
 MARKAR HG305
 MCKINNEY MCK-305

+ STAINLESS HINGE OR STAINLESS
 SCREWS (MCKINNEY SP 3386
 OR SP 3786)



MINIMUM SIZE:

2'8" X 6'8"

5'4" X 8'0"

MAXIMUM SIZE:

4'0" X 8'0" SINGLE *

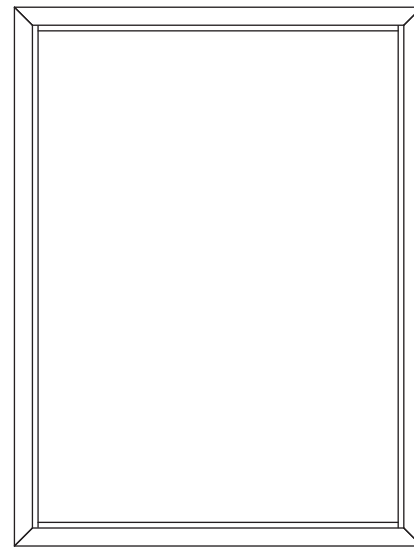
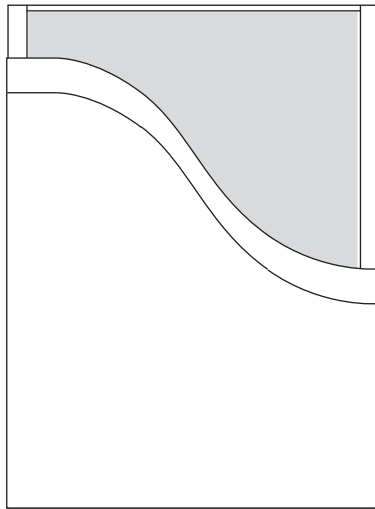
8'0" X 8'0" PAIRS

* FIRE RATED SINGLE
 REQUIRES FIRE PINS
 IN LOCK EDGE OF DOOR.



ONLY AVAILABLE WITH SDI HINGE LOCATIONS

**StormPro Window Shutter
Door and Frame Assembly
UL Certified
Static test pressure (+/- 252 PSF)
Static design pressure (+/- 210 PSF)
100 mph impact with 15 lb 2" x 4"
Meets FEMA 361 (August 2008) and ICC 500-2008 standard**



INSWING ONLY

DOOR

- 16 ga. A60 (RK) skins
- Optional Cold Rolled Skins (CRS)
- Flush only
- Polyurethane core
- 10 ga. steel liner
- Minimum width 1'8" to 4'0" max.
- Minimum height 3'0" to 6'8" max.
- Continuous weld edge
- 1/4" undercut required

HARDWARE

- Corbin Russwin FE 6700, SARGENT FM6100, YALE 7370 concealed multi-point lock*
- McKinney 73980 or 73981 Butt Hinges
- McKinney MCKHG305 Continuous Hinge
- Markar HG305 Continuous Hinge

* Lock located at centerline of frame opening height.

FRAME

- 14 ga. A60 (RK) masonry
- Optional Cold Rolled Steel (CRS)
- 5-3/4" - 14" jamb depth
minimum 2" face required
- Factory welded construction required
- Jamb anchor options:
 - Masonry "T" anchors
 - Masonry wire anchors
 - WPS or WEMA
- Quantity of Anchors required in jamb:
 - 2 Anchors up to 3'0"
 - 3 Anchors up to 5'0"
 - 4 Anchors up to 6'8"
- Quantity of Anchors required in head and sill:
 - 2 WPS or WEMA anchors up to 3'0"
 - 3 WPS or WEMA anchors 3'0" to 4'0"
- WPS or WEMA anchors must be welded at the factory. Masonry expansion shell anchor bolts included when WPS or WEMA anchors are ordered
- Window option on opposite door rabbet